



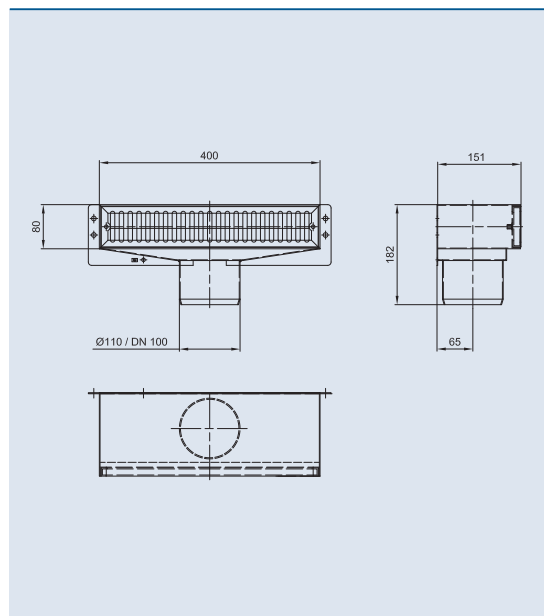
URK 100 E

These armatures can either be used to route the filtered water back into the pool or to discharge excess pool water.

Overflow/return armatures are installed in the vertical pool wall. Size and number of armatures used are based on the volume of water that will be returned. However at least two return armatures should be used for safety reasons. A maximum return speed of 0.6 m/s should serve as the basis for calculating the nominal return pipe diameter. The connection ducts easily fit in all muffs of the drain pipes.

Product characteristics at a glance

- For installation in vertical pool walls
- Large and effective debris sieves
- Connection suitable for the muffs of the drain pipe
- Manufactured completely of stainless steel



URK 100 E	
Dimensions (L x W x H)	450 x 150 x 180 mm
For pools with liner	no
DN	100
Material	stainless steel
Weight	6.0 kg
Order no.	52602



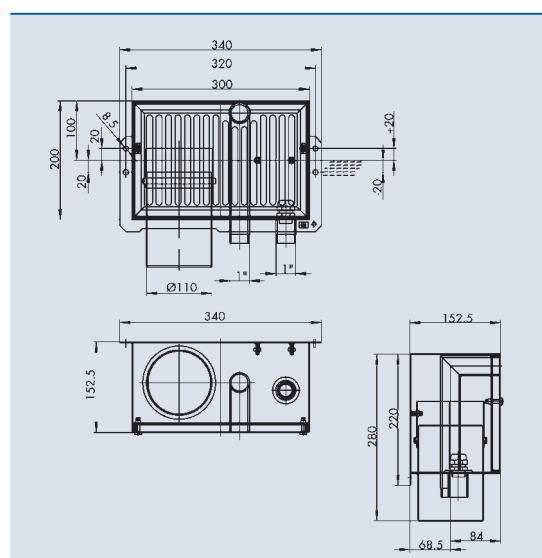
OVERFLOW WALL-INSTALLATION COMBINATION ARMATURE

This is a three-in-one armature: It is an inlet armature, overflow armature, and at the same time it controls the water level – if equipped with an additional water level sensor.

The combination armature is preferably installed in the side pool wall below the pool edge cover. Installation is simple, the overflow duct fits into the muff of the channel pipe. The fresh water feed pipe and the connection of the cable protection pipe for the water level sensor are connected to the appropriate threaded nipple via PE pipe unions. The overflow funnel can be pushed up or pushed down 20 mm to adjust to the water level.

Product characteristics at a glance

- Elegant combination of freshwater inlet and pool overflow
- Installation possibility for water-level sensor
- Water level can be corrected +/- 20 mm retroactively
- Completely made of stainless steel



UWK 100 E	
Dimensions (L x W x H)	340 x 271 x 153 mm
For pools with liner	no
DN	100/1"
Material	stainless steel
Weight	6.1 kg
Order no.	51120

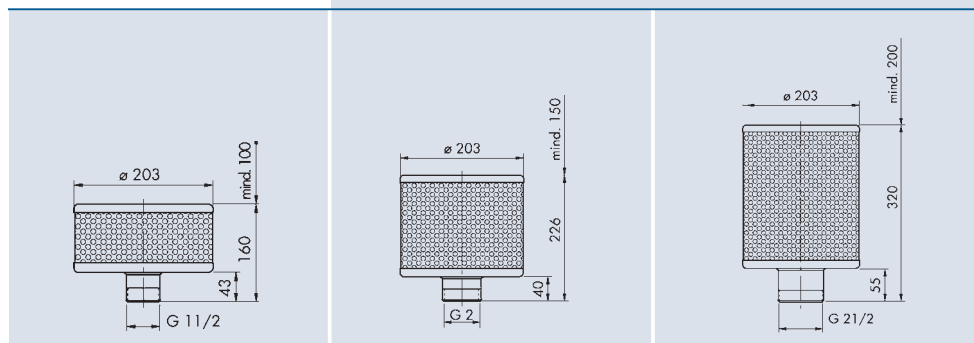
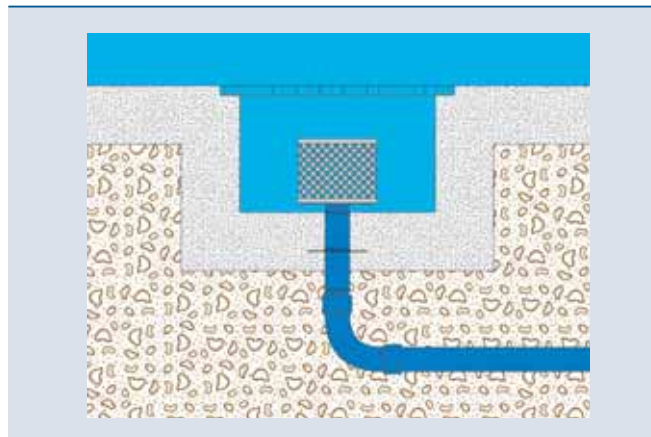


SUCTION FILTER BASKETS

SF 200/15 E TO SF 600/530/250 E

Suction filter baskets are mounted on the inlets of the suction lines to protect the pump/nozzle water circuit from coarse debris.

The baskets are available in different sizes and have extra large filter surfaces that ensure a sufficiently long cleaning interval. In this regard the perforated filter plates for the medium-sized and large filter baskets have been folded multiple times in a star pattern. The stainless steel perforated plate has 4 mm holes.

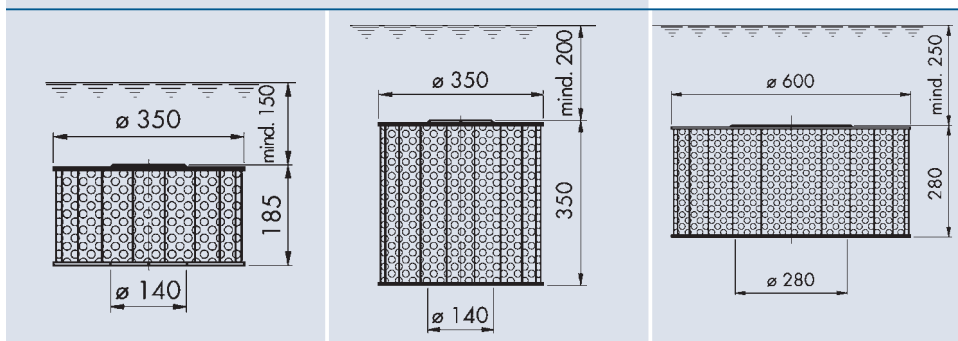
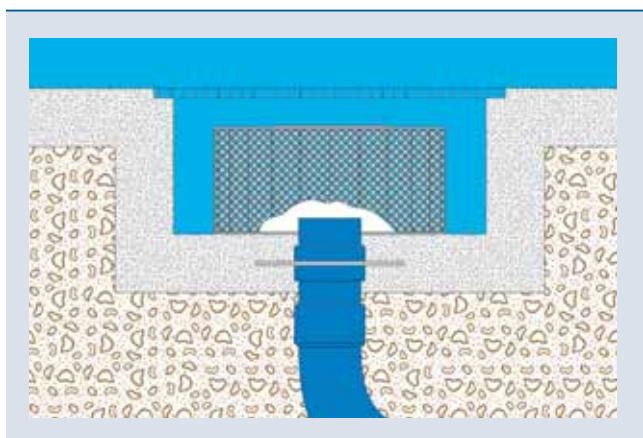
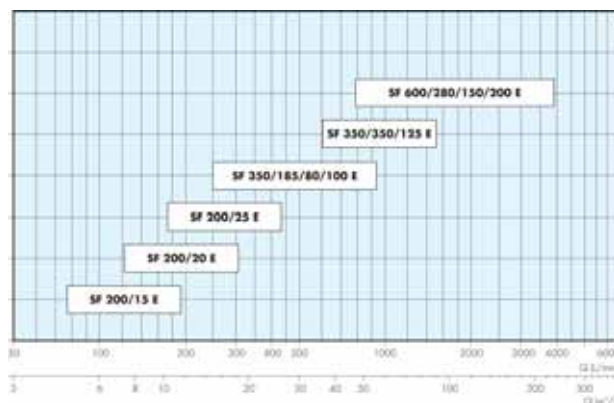


	SF 200/100/15 E	SF 200/166/20 E	SF 200/250/25 E
Dimensions [ØxH mm]	203 x 160	203 x 226	203 x 320
DN [inch/mm]	1 1/2"	2"	2 1/2"
Filter surface [m ²]	0.08	0.12	0.18
Particle strainer Ø [mm]	4.0	4.0	4.0
Material	stainless steel	stainless steel	stainless steel
Weight [kg]	1.1	1.5	1.8
Order no.	51082	51083	51084

The small suction filter baskets are screwed directly onto the pool floor channels. The medium and large baskets are simply placed over the suction line pipe that projects approximately 50 mm above the pool floor and permanently anchored.

Product characteristics at a glance

- Protects pump and nozzle from coarse debris
- Large filter surface
- Easy installation
- Solid and robust construction
- Extremely corrosion resistant



SF 350/185/80/100 E	SF 350/350/125 E	SF 600/280/150/200 E		
350 x 185	350 x 350	600 x 280	[ØxH mm]	Dimensions
80/100	125	150/200	[inch/mm]	DN
0.44	0.88	1.5	[m ²]	Filter surface
–	–	–	[mm]	Particle strainer Ø
stainless steel	stainless steel	stainless steel		Material
9.5	11.5	43.1	[kg]	Weight
51753	54755	51756		Order no.